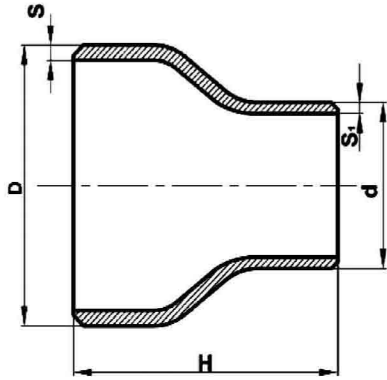
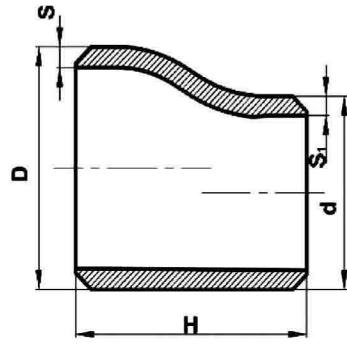


## CONCENTRIC REDUCERS

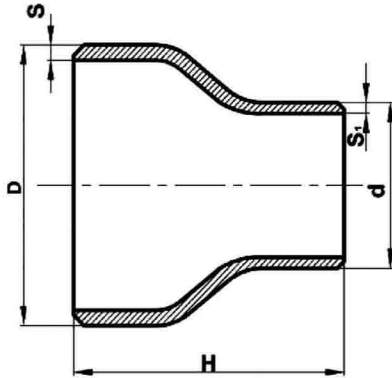


## ECCENTRIC REDUCERS

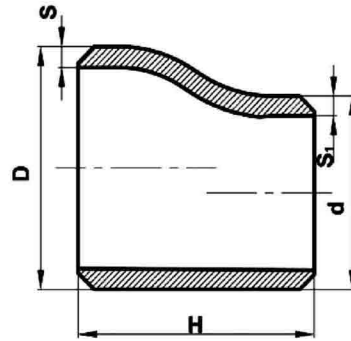


NPS	D	d	H	Wall Thickness				Weights(kg)	
				SCH STD		SCH XS		SCH STD	SCH XS
				S	S1	S	S1		
3/4"X1/2"	26.7	21.3	38	2.87	2.77	3.91	3.73	0.10	0.15
1"X3/4"	33.4	26.7	51	3.38	2.87	4.55	3.91	0.14	0.17
		1"X1/2"		21.3	3.38	2.77	4.55	3.73	0.14
1-1/4"X1"	42.2	33.4	51	3.56	3.38	4.85	4.55	0.20	0.24
1-14"X3/4"		26.7		3.56	2.87	4.85	3.91	0.20	0.23
1-1/4"X1/2"		21.3		3.56	2.77	4.85	3.73	0.19	0.22
1-1/2"X1-1/4"	48.3	42.2	64	3.68	3.56	5.08	4.85	0.26	0.33
1-1/2"X1"		33.4		3.68	3.38	5.08	4.55	0.24	0.31
1-1/2"X3/4"		26.7		3.68	2.87	5.08	3.91	0.22	0.27
1-1/2"X1/2"		21.3		3.68	2.77	5.08	3.73	0.20	0.26
2"X1-1/2"	60.3	48.3	76	3.91	3.68	5.54	5.08	0.41	0.54
2"X1-1/4"		42.4		3.91	3.56	5.54	4.85	0.39	0.53
2"X1"		33.4		3.91	3.38	5.54	4.55	0.37	0.48
2"X3/4"		26.7		3.91	2.87	5.54	3.91	0.33	0.46
2"X1/2"		21.3		3.91	2.77	5.54	3.73	0.31	0.42
2-1/2"X2"	73	60.3	89	5.16	3.91	7.01	5.54	0.73	0.94
2-1/2"X1-1/2"		48.3		5.16	3.68	7.01	5.08	0.68	0.86
2-1/2"X1-1/4"		42.2		5.16	3.56	7.01	4.85	0.67	0.79
2-1/2"X1"		33.4		5.16	3.38	7.01	4.55	0.59	0.79
3"X2-1/2"	88.9	73	89	5.49	5.16	7.62	7.01	0.98	1.29
3"X2"		60.3		5.49	3.91	7.62	5.54	0.91	1.18
3"X1-1/2"		48.3		5.49	3.68	7.62	5.08	0.86	1.04
3"X1-1/4"		42.2		5.49	3.56	7.62	4.85	0.77	1.04
3"X1"		33.4		5.49	3.38	7.62	4.55	0.73	1.04
3-1/2"X3"	101.6	88.9	102	5.74	5.49	8.08	7.62	1.38	1.85
3-1/2"X2-1/2"		73		5.74	5.16	8.08	7.01	1.34	1.75
3-1/2"X2"		60.3		5.74	3.91	8.08	5.54	1.23	1.61
3-1/2"X1-1/2"		48.3		5.74	3.68	8.08	5.08	1.14	1.43
3-1/2"X1-1/4"		42.2		5.74	3.56	8.08	4.85	1.14	1.43
4"X3-1/2"	114.3	101.6	102	6.02	5.74	8.56	8.08	1.64	2.21
4"X3"		88.9		6.02	5.49	8.56	7.62	1.59	2.13
4"X2-1/2"		73		6.02	5.16	8.56	7.01	1.52	2.01
4"X2"		60.3		6.02	3.91	8.56	5.54	1.44	1.78
4"X1-1/2"		48.3		6.02	3.68	8.56	5.08	1.24	1.73
4"X1-1/4"		42.2		6.02	3.56	8.56	4.85	1.20	1.71
4"X1"		33.4		6.02	3.38	8.56	4.55	1.12	1.70
5"X4"	141.3	114.3	127	6.55	6.02	9.52	8.56	2.72	3.78
5"X3-1/2"		101.6		6.55	5.74	9.52	8.08	2.65	3.65

## CONCENTRIC REDUCERS

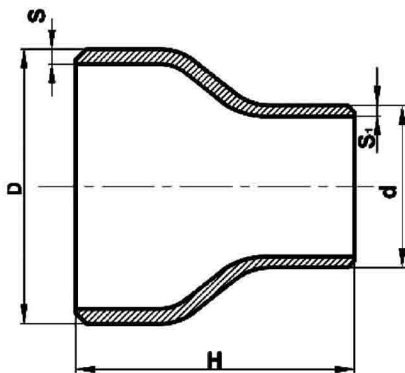


## ECCENTRIC REDUCERS

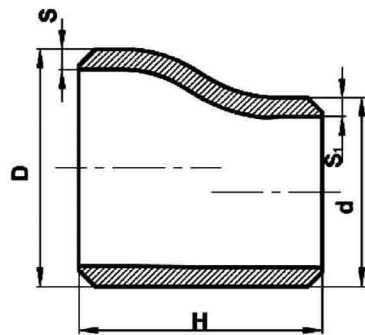


NPS	D	d	H	Wall Thickness				Weights(kg)	
				SCH STD		SCH XS		SCH STD	SCH XS
				S	S1	S	S1		
5"X3" 5"X2-1/2" 5"X2"	141.3	88.9 73 60.3	127	6.55 6.55 6.55	5.49 5.16 3.91	9.52 9.52 9.52	7.62 7.01 5.54	2.60 2.51 2.29	3.55 3.30 3.00
6"X5" 6"X4" 6"X3-1/2" 6"X3" 6"X2-1/2" 6"X2"	168.3	141.3 114.3 101.6 88.9 73 60.3	140	7.11 7.11 7.11 7.11 7.11 7.11	6.55 6.02 5.74 5.49 5.16 3.91	10.97 10.97 10.97 10.97 10.97 10.97	9.52 8.56 8.08 7.62 7.01 5.54	3.93 3.72 3.69 3.63 3.45 3.30	5.72 5.45 5.27 5.04 4.52 4.45
8"X6" 8"X5" 8"X4" 8"X3-1/2" 8"X3"	219.1	168.3 141.3 114.3 101.6 88.9	152	8.18 8.18 8.18 8.18 8.18	7.11 6.55 6.02 5.74 5.49	12.7 12.7 12.7 12.7 12.7	10.97 9.52 8.56 8.08 7.62	6.31 6.08 5.95 5.81 5.81	9.26 8.85 8.44 7.31 7.31
10"X8" 10"X6" 10"X5" 10"X4" 10"X3"	273	219.1 168.3 141.3 114.3 88.9	178	9.27 9.27 9.27 9.27 9.27	8.18 7.11 6.55 6.02 5.49	12.7 12.7 12.7 12.7 12.7	12.7 10.97 9.52 8.56 7.62	10.50 10.10 9.90 9.58 9.30	14.20 13.50 13.00 11.50 11.0
12"X10" 12"X8" 12"X6" 12"X5" 12"X4"	323.8	273 219.1 168.3 141.3 114.3	203	9.52 9.52 9.52 9.52 9.52	9.27 8.18 7.11 6.55 6.02	12.7 12.7 12.7 12.7 12.7	12.7 12.7 10.97 9.52 8.56	15.20 14.60 14.10 13.80 13.30	19.80 19.08 18.40 17.70 17.2
14"X12" 14"X10" 14"X8" 14"X6"	355.6	323.8 273 219.1 168.3	330	9.52 9.52 9.52 9.52	9.52 9.27 8.18 7.11	12.7 12.7 12.7 12.7	12.7 12.7 12.7 10.97	28.80 27.40 26.00 25.30	37.70 36.10 34.90 33.70
16"X14" 16"X12" 16"X10" 16"X8" 16"X6"	406.4	355.6 323.8 273 219.1 168.3	356	9.52 9.52 9.52 9.52 9.52	9.52 9.52 9.27 8.18 7.11	12.7 12.7 12.7 12.7 12.7	12.7 12.7 12.7 12.7 10.97	35.2 34.3 33.1 31.9 31.9	46.3 45 43.7 42.6 42.6
18"X16" 18"X14" 18"X12" 18"X10"	457.2	406.4 355.6 323.8 273	381	9.52 9.52 9.52 9.52	9.52 9.52 9.52 9.27	12.7 12.7 12.7 12.7	12.7 12.7 12.7 12.7	42.70 41.30 40.50 39.40	55.80 54.50 53.60 51.80

## CONCENTRIC REDUCERS

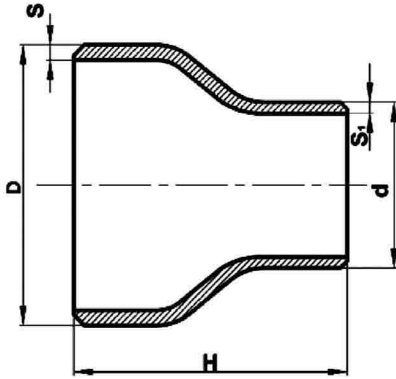


## ECCENTRIC REDUCERS

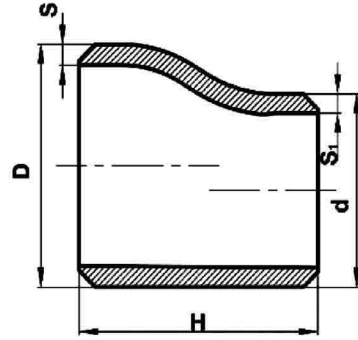


NPS	D	d	H	Wall Thickness				Weights(kg)	
				SCH STD		SCH XS		SCH STD	SCH XS
				S	S1	S	S1		
18"X8"	457.2	219.1	381	9.52	8.18	12.7	12.7	39.4	51.8
20"X18"	508	457.2	508	9.52	9.52	12.7	12.7	64.50	84.40
20"X16"		406.4		9.52	9.52	12.7	12.7	62.60	82.60
20"X14"		355.6		9.52	9.52	12.7	12.7	61.30	81.30
20"X12"		323.8		9.52	9.52	12.7	12.7	60.80	79.90
20"X10"		273		9.52	9.27	12.7	12.7	60.80	79.90
20"X8"		219.1		9.52	8.18	12.7	12.7	60.8	79.9
22"X20"		558		508	508	9.52	9.52	12.7	12.7
22"X18"	457.2		9.52	9.52		12.7	12.7	69.9	91.7
22"X16"	406.4		9.52	9.52		12.7	12.7	68.5	89.9
22"X14"	355.6		9.52	9.52		12.7	12.7	67.2	88.5
24"X22"	609.6	558.8	508	9.52	9.52	12.7	12.7	75.80	99.90
24"X20"		508.8		9.52	9.52	12.7	12.7	75.80	99.90
24"X18"		457.2		9.52	9.52	12.7	12.7	74.00	97.60
24"X16"		406.4		9.52	9.52	12.7	12.7	72.60	95.80
24"X14"		355.6		9.52	9.52	12.7	12.7	72.60	95.80
26"X24"	660	609.6	610	9.52	9.52	12.7	12.7	98.00	123
26"X22"		558.8		9.52	9.52	12.7	12.7	98.00	123
26"X20"		508		9.52	9.52	12.7	12.7	98.00	123
26"X18"		457.2		9.52	9.52	12.7	12.7	98.00	123
26"X16"		406.4		9.52	9.52	12.7	12.7	98.00	123
26"X14"		355.6		9.52	9.52	12.7	12.7	98.00	123
28"X26"	711	660.4	610	9.52	9.52	12.7	12.7	105	132
28"X24"		609.6		9.52	9.52	12.7	12.7	105	132
28"X22"		558.8		9.52	9.52	12.7	12.7	105	132
28"X20"		508		9.52	9.52	12.7	12.7	105	132
28"X18"		457.2		9.52	9.52	12.7	12.7	105	132
28"X16"		406.4		9.52	9.52	12.7	12.7	105	132
30"X26"		762		660	610	9.52	9.52	12.7	12.7
30"X24"	610		9.52	9.52		12.7	12.7	113	143
30"X22"	559		9.52	9.52		12.7	12.7	113	143
30"X20"	508		9.52	9.52		12.7	12.7	113	143
30"X18"	457		9.52	9.52		12.7	12.7	113	143
30"X16"	406		9.52	9.52		12.7	12.7	113	143
30"X14"	356		9.52	9.52		12.7	12.7	113	143

## CONCENTRIC REDUCERS



## ECCENTRIC REDUCERS



NPS	D	d	H	Wall Thickness				Weights(kg)	
				SCH STD		SCH XS		SCH STD	SCH XS
				S	S1	S	S1		
32"x16"	813	406	610	9.52	9.52	12.7	12.7	115	150
32"x18"		457		9.52	9.52	12.7	12.7	115	150
32"x20"		508		9.52	9.52	12.7	12.7	115	150
32"x24"		610		9.52	9.52	12.7	12.7	115	150
32"x26"		660		9.52	9.52	12.7	12.7	115	150
32"x28"		711		9.52	9.52	12.7	12.7	115	150
32"x30"		762		9.52	9.52	12.7	12.7	115	150
34"x16"	864	406	610	9.52	9.52	12.7	12.7	122	157
34"x18"		457		9.52	9.52	12.7	12.7	122	157
34"x20"		508		9.52	9.52	12.7	12.7	122	157
34"x22"		559		9.52	9.52	12.7	12.7	122	157
34"x24"		610		9.52	9.52	12.7	12.7	122	157
34"x26"		660		9.52	9.52	12.7	12.7	122	157
34"x28"		711		9.52	9.52	12.7	12.7	122	157
34"x30"		762		9.52	9.52	12.7	12.7	122	157
34"x32"		813		9.52	9.52	12.7	12.7	122	157
36"x16"	914	406	610	9.52	9.52	12.7	12.7	136	172
36"x18"		457		9.52	9.52	12.7	12.7	136	172
36"x20"		508		9.52	9.52	12.7	12.7	136	172
36"x22"		559		9.52	9.52	12.7	12.7	136	172
36"x24"		610		9.52	9.52	12.7	12.7	136	172
36"x26"		660		9.52	9.52	12.7	12.7	136	172
36"x28"		711		9.52	9.52	12.7	12.7	136	172
36"x30"		762		9.52	9.52	12.7	12.7	136	172
36"x32"		813		9.52	9.52	12.7	12.7	136	172
36"x34"		864		9.52	9.52	12.7	12.7	136	172
38"x18"		965		457	610	9.52	9.52	12.7	12.7
38"x20"	508		9.52	9.52		12.7	12.7	143	186
38"x24"	610		9.52	9.52		12.7	12.7	143	186
38"x26"	660		9.52	9.52		12.7	12.7	143	186
38"x28"	711		9.52	9.52		12.7	12.7	143	186
38"x30"	762		9.52	9.52		12.7	12.7	143	186
38"x32"	813		9.52	9.52		12.7	12.7	143	186
38"x34"	864		9.52	9.52		12.7	12.7	143	186
38"x36"	914		9.52	9.52		12.7	12.7	143	186