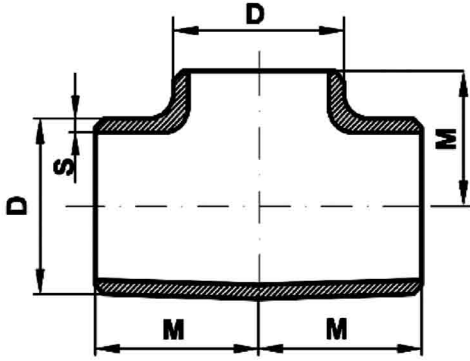
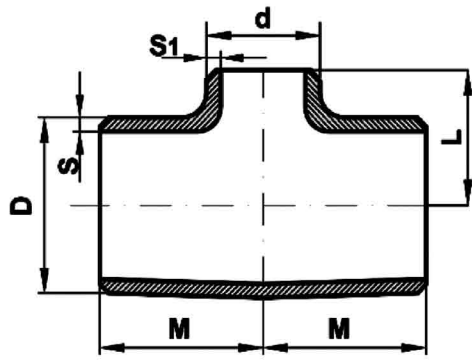


EQUAL TEES

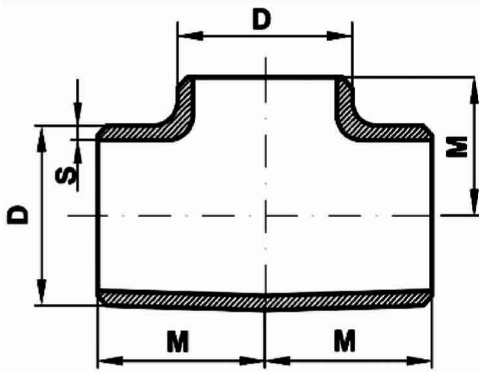


REDUCING TEES

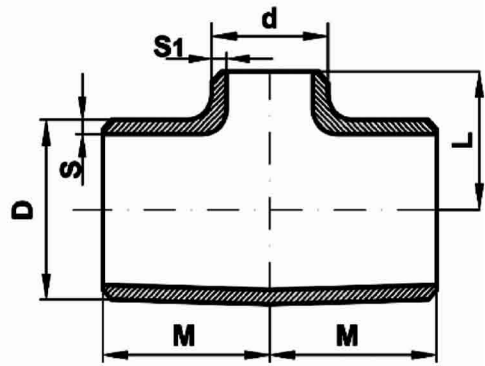


NPS	D	d	M	L	Wall Thickness				Weights(kg)	
					SCH STD		SCH XS		SCH STD	SCH XS
					S	S1	S	S1		
1/2"	21.3	-	25.4	25.4	2.77	-	3.73	-	0.16	0.18
3/4"	26.7	-	28.5	28.5	2.87	-	3.91	-	0.2	0.25
3/4"X1/2"		21.3			2.87	2.77	3.91	3.73	0.2	0.25
1"	33.4	-	38.1	38.1	3.38	-	4.55	-	0.34	0.32
1"X3/4"		26.7			3.38	2.87	4.55	3.91	0.34	0.32
1"X1/2"		21.3			3.38	2.77	4.55	3.73	0.34	0.32
1 1/4"	42.2	-	47.6	47.6	3.56	-	4.85	-	0.63	0.73
1 1/4"X1"		33.4			3.56	3.38	4.85	4.55	0.63	0.73
1 1/4"X3/4"		26.7			3.56	2.87	4.85	3.91	0.63	0.73
1 1/4"X1/2"		21.3			3.56	2.77	4.85	3.73	0.63	0.73
1 1/2"	48.3	-	57.1	57.1	3.68	-	5.08	-	0.92	1.18
1 1/2"X1 1/4"		42.2			3.68	3.56	5.08	4.85	0.92	1.18
1 1/2"X1"		33.4			3.68	3.38	5.08	4.55	0.92	1.18
1 1/2"X3/4"		26.7			3.68	2.87	5.08	3.91	0.92	1.18
1 1/2"X1/2"		21.3			3.68	2.77	5.08	3.73	0.92	1.18
2"	60.3	-	63.5	63.5	3.91	-	5.54	-	1.49	1.67
2"X1 1/2"		48.3			3.91	3.68	5.54	5.08	1.49	1.67
2"X1 1/4"		42.4			3.91	3.56	5.54	4.85	1.49	1.67
2"X1"		33.4			3.91	3.38	5.54	4.55	1.49	1.67
2"X3/4"		26.7			3.91	2.87	5.54	3.91	1.49	1.67
2"X1/2"		21.3			3.91	2.77	5.54	3.73	1.49	1.67
2 1/2"	73	-	76.2	76.2	5.16	-	7.01	-	2.68	2.88
2 1/2"X2"		60.3			5.16	3.91	7.01	5.54	2.68	2.88
2 1/2"X1 1/2"		48.3			5.16	3.68	7.01	5.08	2.68	2.88
2 1/2"X1 1/4"		42.2			5.16	3.56	7.01	4.85	2.68	2.88
2 1/2"X1"		33.4			5.16	3.38	7.01	4.55	2.68	2.88
3"	88.9	-	85.7	85.7	5.49	-	7.62	-	3.75	4.19
3"X2 1/2"		73			5.49	5.16	7.62	7.01	3.75	4.19
3"X2"		60.3			5.49	3.91	7.62	5.54	3.75	4.19
3"X1 1/2"		48.3			5.49	3.68	7.62	5.08	3.75	4.19
3"X1 1/4"		42.2			5.49	3.56	7.62	4.85	3.75	4.19
3"X1"		33.4			5.49	3.38	7.62	4.55	3.75	4.19
3 1/2"	101.6	-	95.2	95.2	5.74	-	8.08	-	5	6.15
3 1/2"X3"		88.9			5.74	5.49	8.08	7.62	5	6.15
3 1/2"X2 1/2"		73			5.74	5.16	8.08	7.01	5	6.15
3 1/2"X2"		60.3			5.74	3.91	8.08	5.54	5	6.15
3 1/2"X1 1/2"		48.3			5.74	3.68	8.08	5.08	5	6.15
3 1/2"X1 1/4"		42.2			5.74	3.56	8.08	4.85	5	6.15

EQUAL TEES

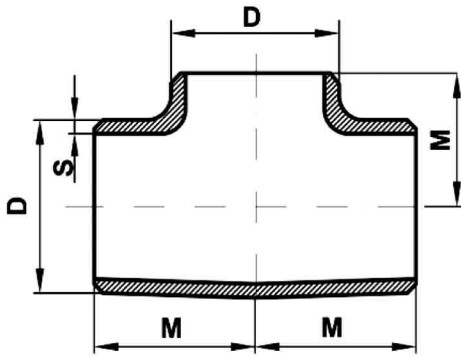


REDUCING TEES

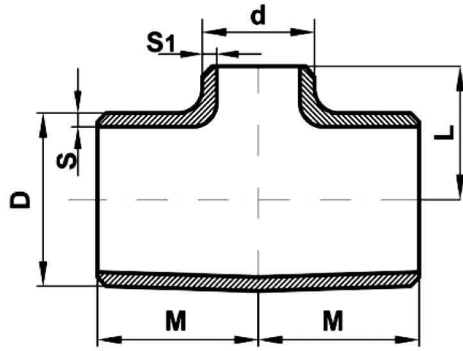


NPS	D	d	M	L	Wall Thickness				Weights(kg)			
					SCH STD		SCH XS		SCH STD	SCH XS		
					S	S1	S	S1				
4"		-		104.8	6.02	-	8.56	-	6.5	7.12		
4"X3 1/2"		101.6		101.6	6.02	5.74	8.56	8.08	6.5	7.12		
4"X3"		88.9		98.4	6.02	5.49	8.56	7.62	6.5	7.12		
4"X2 1/2"	114.3	73	104.8	95.2	6.02	5.16	8.56	7.01	6.5	7.12		
4"X2"		60.3		88.9	6.02	3.91	8.56	5.54	6.5	7.12		
4"X1 1/2"		48.3		85.7	6.02	3.68	8.56	5.08	6.5	7.12		
4"X1 1/4"		42.2		83.7	6.02	3.56	8.56	4.85	6.5	7.12		
4"X1"		33.4		78.6	6.02	3.38	8.56	4.55	6.5	7.12		
5"				-		123.8	6.55	-	9.52	-	10	11.6
5"X4"		141.3		114.3	123.8	117.4	6.55	6.02	9.52	8.56	10	11.6
5"X3 1/2"				101.6		114.3	6.55	5.74	9.52	8.08	10	11.6
5"X3"	88.9		111.1	6.55		5.49	9.52	7.62	10	11.6		
5"X2 1/2"	73		107.9	6.55		5.16	9.52	7.01	10	11.6		
5"X2"	60.3		104.7	6.55		3.91	9.52	5.54	10	11.6		
6"			-			142.8	7.11	-	10.97	-	15	15
6"X5"	168.3	141.3	142.8	136.5	7.11	6.55	10.97	9.52	15	15		
6"X4"		114.3		130.1	7.11	6.02	10.97	8.56	14	15		
6"X3 1/2"		101.6		127	7.11	5.74	10.97	8.08	14	15		
6"X3"		88.9		123.8	7.11	5.49	10.97	7.62	14	15		
6"X2 1/2"		73		120.6	7.11	5.16	10.97	7.01	14	15		
6"X2"		60.3		115.9	7.11	3.91	10.97	5.54	14	15		
8"				-		177.8	8.18	-	12.7	-	24.5	29
8"X6"		219.1		168.3	177.8	168.2	8.18	7.11	12.7	10.97	24.5	29
8"X5"	141.3		161.9	8.18		6.55	12.7	9.52	24.5	29		
8"X4"	114.3		155.5	8.18		6.02	12.7	8.56	24.5	29		
8"X3 1/2"	101.6		152.4	8.18		5.74	12.7	8.08	24.5	29		
8"X3"	88.9		150.8	8.18		5.49	12.7	7.62	24.5	29		
10"			-			215.9	9.27	-	12.7	-	31.3	48
10"X8"	273	219.1	215.9	203.2	9.27	8.18	12.7	12.7	31.3	48		
10"X6"		168.3		193.7	9.27	7.11	12.7	10.97	31.3	48		
10"X5"		141.3		190.5	9.27	6.55	12.7	9.52	31.3	48		
10"X4"		114.3		184.2	9.27	6.02	12.7	8.56	31.3	48		
10"X3"		88.9		-	9.27	5.49	12.7	7.62	31.3	48		
12"				-		254	9.52	-	12.7	-	47	68
12"X10"	323.8	273	254	241.3	9.52	9.27	12.7	12.7	47	68		
12"X8"		219.1		228.6	9.52	8.18	12.7	12.7	47	68		
12"X6"		168.3		219.1	9.52	7.11	12.7	10.97	47	68		
12"X5"		141.3		215.9	9.52	6.55	12.7	9.52	47	68		
12"X4"		114.3		214.1	9.52	6.02	12.7	8.56	47	68		

EQUAL TEES

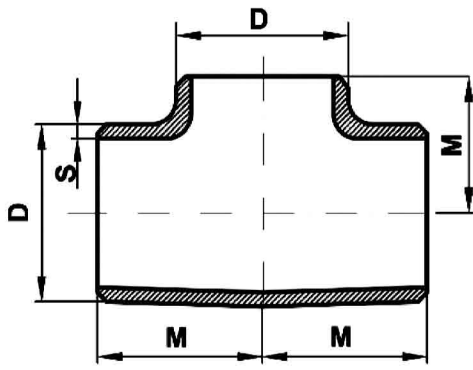


REDUCING TEES

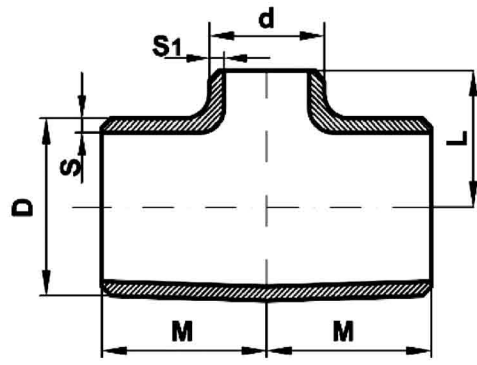


NPS	D	d	M	L	Wall Thickness				Weights(kg)	
					SCH STD		SCH XS		SCH STD	SCH XS
					S	S1	S	S1		
14"		-		279.4	9.52	-	12.7	-	60	85
14"X12"	355.6	323.8	279.4	269.9	9.52	9.52	12.7	12.7	60	85
14"X10"		273		257.2	9.52	9.27	12.7	12.7	60	85
14"X8"		219.1		247.7	9.52	8.18	12.7	12.7	60	85
14"X6"		168.3		238.1	9.52	7.11	12.7	10.97	60	85
16"				-		304.9	9.52	-	12.7	-
16"X14"	406.4	355.6	304.8	304.9	9.52	9.52	12.7	12.7	75	103
16"X12"		323.8		295.6	9.52	9.52	12.7	12.7	75	103
16"X10"		273		282.6	9.52	9.27	12.7	12.7	75	103
16"X8"		219.1		273.1	9.52	8.18	12.7	12.7	75	103
16"X6"		168.3		263.5	9.52	7.11	12.7	10.97	75	103
18"				-		342.9	9.52	-	12.7	-
18"X16"	457.2	406.4	342.9	330.2	9.52	9.52	12.7	12.7	105	125
18"X14"		355.6		330.2	9.52	9.52	12.7	12.7	105	125
18"X12"		323.8		320.7	9.52	9.52	12.7	12.7	105	125
18"X10"		273		308	9.52	9.27	12.7	12.7	105	125
18"X8"		219.1		298.5	9.52	8.18	12.7	12.7	105	125
20"				-		381	9.52	-	12.7	-
20"X18"	508	457.2	381	368.3	9.52	9.52	12.7	12.7	125	150
20"X16"		406.4		355.6	9.52	9.52	12.7	12.7	125	150
20"X14"		355.6		355.6	9.52	9.52	12.7	12.7	125	150
20"X12"		323.8		346.1	9.52	9.52	12.7	12.7	125	150
20"X10"		273		333.4	9.52	9.27	12.7	12.7	125	150
20"X8"		219.1		322.3	9.52	8.18	12.7	12.7	125	150
22"				-		419.1	9.52	-	12.7	-
22"X20"	558	508	419.1	406.4	9.52	9.52	12.7	12.7	158.80	205.3
22"X18"		457.2		393.7	9.52	9.52	12.7	12.7	158.80	205.3
22"X16"		406.4		381	9.52	9.52	12.7	12.7	158.80	205.3
22"X14"		355.6		381	9.52	9.52	12.7	12.7	158.80	205.3
22"X12"		323.8		371.5	9.52	9.52	12.7	12.7	158.80	205.3
24"				-		431.8	9.52	-	12.7	-
24"X22"	609.6	558.8	431.8	431.8	9.52	9.52	12.7	12.7	185	235
24"X20"		508.8		431.8	9.52	9.52	12.7	12.7	185	235
24"X18"		457.2		419.1	9.52	9.52	12.7	12.7	185	235
24"X16"		406.4		406.4	9.52	9.52	12.7	12.7	185	235
24"X14"		355.6		406.4	9.52	9.52	12.7	12.7	185	235
24"X12"		323.8		396.9	9.52	9.52	12.7	12.7	185	235

EQUAL TEES

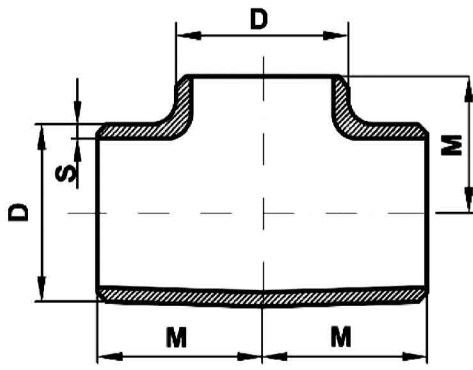


REDUCING TEES

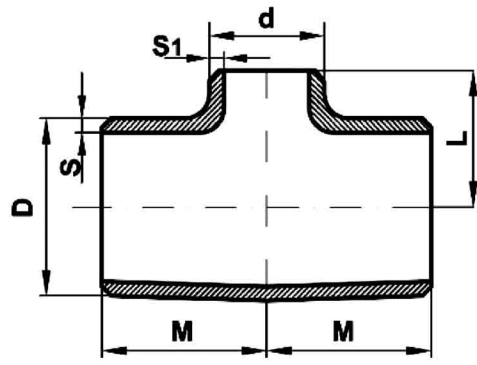


NPS	D	d	M	L	Wall Thickness				Weights(kg)	
					SCH STD		SCH XS		SCH STD	SCH XS
					S	S1	S	S1		
26"		-		495.3	9.52	-	12.7	-	222.3	287.65
26"X24"		609.6		482.6	9.52	9.52	12.7	12.7	222.3	287.65
26"X22"		558.8		469.9	9.52	9.52	12.7	12.7	222.3	287.65
26"X20"	660.4	508	495.3	457.2	9.52	9.52	12.7	12.7	222.3	287.65
26"X18"		457.2		444.5	9.52	9.52	12.7	12.7	222.3	287.65
26"X16"		406.4		431.8	9.52	9.52	12.7	12.7	222.3	287.65
26"X14"		355.6		431.8	9.52	9.52	12.7	12.7	222.3	287.65
28"		-		520.7	9.52	-	12.7	-	250.57	324.35
28"X26"		660.4		520.7	9.52	9.52	12.7	12.7	250.57	324.35
28"X24"		609.6		508	9.52	9.52	12.7	12.7	250.57	324.35
28"X22"	711.2	558.8	520.7	495.3	9.52	9.52	12.7	12.7	250.57	324.35
28"X20"		508		482.6	9.52	9.52	12.7	12.7	250.57	324.35
28"X18"		457.2		469.9	9.52	9.52	12.7	12.7	250.57	324.35
28"X16"		406.4		457.2	9.52	9.52	12.7	12.7	250.57	324.35
30"		-			9.52	-	12.7	-	288.45	373.48
30"X26"		660		546	9.52	9.52	12.7	12.7	288.45	373.48
30"X24"		610		533	9.52	9.52	12.7	12.7	288.45	373.48
30"X22"	762	559	559	521	9.52	9.52	12.7	12.7	288.45	373.48
30"X20"		508		508	9.52	9.52	12.7	12.7	288.45	373.48
30"X18"		457		495	9.52	9.52	12.7	12.7	288.45	373.48
30"X16"		406		483	9.52	9.52	12.7	12.7	288.45	373.48
30"X14"		356		483	9.52	9.52	12.7	12.7	288.45	373.48
32"		-		-	9.52	-	12.7	-	329	426.08
32"X30"		762		584	9.52	9.52	12.7	12.7	329	426.08
32"X28"		711		572	9.52	9.52	12.7	12.7	329	426.08
32"X26"	813	660	597	572	9.52	9.52	12.7	12.7	329	426.08
32"X24"		610		559	9.52	9.52	12.7	12.7	329	426.08
32"X20"		508		533	9.52	9.52	12.7	12.7	329	426.08
32"X18"		457		521	9.52	9.52	12.7	12.7	329	426.08
32"X16"		406		508	9.52	9.52	12.7	12.7	329	426.08
34"		-		-	9.52	-	12.7	-	372.2	518.6
34"x16"		406		533	9.52	9.52	12.7	12.7	372.2	518.6
34"x18"		457		546	9.52	9.52	12.7	12.7	372.2	518.6
34"x20"		508		559	9.52	9.52	12.7	12.7	372.2	518.6
34"x24"	864	610	635	584	9.52	9.52	12.7	12.7	372.2	518.6
34"x26"		660		597	9.52	9.52	12.7	12.7	372.2	518.6
34"x28"		711		597	9.52	9.52	12.7	12.7	372.2	518.6
34"x30"		762		610	9.52	9.52	12.7	12.7	372.2	518.6
34"x32"		813		622	9.52	9.52	12.7	12.7	372.2	518.6

EQUAL TEES



REDUCING TEES



NPS	D	d	M	L	Wall Thickness				Weights(kg)	
					SCH STD		SCH XS		SCH STD	SCH XS
					S	S1	S	S1		
26"		-		495.3	9.52	-	12.7	-	222.3	287.65
26"X24"		609.6		482.6	9.52	9.52	12.7	12.7	222.3	287.65
26"X22"		558.8		469.9	9.52	9.52	12.7	12.7	222.3	287.65
26"X20"	660.4	508	495.3	457.2	9.52	9.52	12.7	12.7	222.3	287.65
26"X18"		457.2		444.5	9.52	9.52	12.7	12.7	222.3	287.65
26"X16"		406.4		431.8	9.52	9.52	12.7	12.7	222.3	287.65
26"X14"		355.6		431.8	9.52	9.52	12.7	12.7	222.3	287.65
28"		-		520.7	9.52	-	12.7	-	250.57	324.35
28"X26"		660.4		520.7	9.52	9.52	12.7	12.7	250.57	324.35
28"X24"		609.6		508	9.52	9.52	12.7	12.7	250.57	324.35
28"X22"	711.2	558.8	520.7	495.3	9.52	9.52	12.7	12.7	250.57	324.35
28"X20"		508		482.6	9.52	9.52	12.7	12.7	250.57	324.35
28"X18"		457.2		469.9	9.52	9.52	12.7	12.7	250.57	324.35
28"X16"		406.4		457.2	9.52	9.52	12.7	12.7	250.57	324.35
30"		-			9.52	-	12.7	-	288.45	373.48
30"X26"		660		546	9.52	9.52	12.7	12.7	288.45	373.48
30"X24"		610		533	9.52	9.52	12.7	12.7	288.45	373.48
30"X22"	762	559	559	521	9.52	9.52	12.7	12.7	288.45	373.48
30"X20"		508		508	9.52	9.52	12.7	12.7	288.45	373.48
30"X18"		457		495	9.52	9.52	12.7	12.7	288.45	373.48
30"X16"		406		483	9.52	9.52	12.7	12.7	288.45	373.48
30"X14"		356		483	9.52	9.52	12.7	12.7	288.45	373.48
32"		-		-	9.52	-	12.7	-	329	426.08
32"X30"		762		584	9.52	9.52	12.7	12.7	329	426.08
32"X28"		711		572	9.52	9.52	12.7	12.7	329	426.08
32"X26"	813	660	597	572	9.52	9.52	12.7	12.7	329	426.08
32"X24"		610		559	9.52	9.52	12.7	12.7	329	426.08
32"X20"		508		533	9.52	9.52	12.7	12.7	329	426.08
32"X18"		457		521	9.52	9.52	12.7	12.7	329	426.08
32"X16"		406		508	9.52	9.52	12.7	12.7	329	426.08
34"		-		-	9.52	-	12.7	-	372.2	518.6
34"x16"		406		533	9.52	9.52	12.7	12.7	372.2	518.6
34"x18"		457		546	9.52	9.52	12.7	12.7	372.2	518.6
34"x20"		508		559	9.52	9.52	12.7	12.7	372.2	518.6
34"x24"	864	610	635	584	9.52	9.52	12.7	12.7	372.2	518.6
34"x26"		660		597	9.52	9.52	12.7	12.7	372.2	518.6
34"x28"		711		597	9.52	9.52	12.7	12.7	372.2	518.6
34"x30"		762		610	9.52	9.52	12.7	12.7	372.2	518.6
34"x32"		813		622	9.52	9.52	12.7	12.7	372.2	518.6